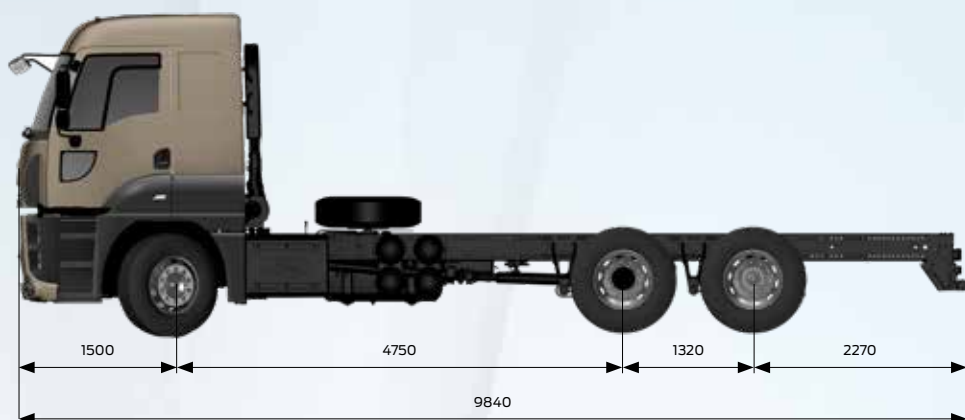
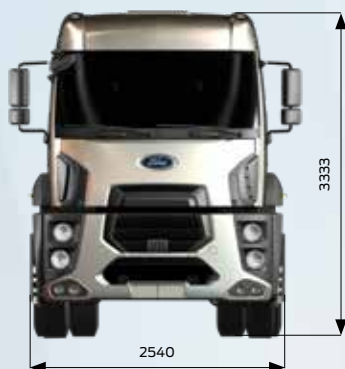


FORD TRUCKS 2533 HR EURO6



Basic Features

| | |
|----------------|-----------------------|
| Vehicle Type | Road Truck |
| Axle | 6x2 |
| Emission | Euro 6 |
| Cabin Type | High Roof Sleeper Cab |
| Wheelbase (mm) | 4750 |

Engine

| | |
|--------------------|----------------------------|
| Type | Ecotorq 9 liters |
| Displacement (cc) | 8974 |
| Diameter x Stroke | 115 mm x 144 mm |
| Power | 330 PS (243 kW) @ 1900 rpm |
| Torque | 1300 Nm @ 1200-1700 rpm |
| Compression Ratio | 17,6 : 1 |
| Oil Filling Volume | 30 L |
| Coolant Volume | 35 L |

Transmission

| | |
|---|-------------------------|
| Clutch | 430 mm Single Disc |
| Manuel Transmission / Ratios (1.gear - 9. gear) | 9+1 Speed (9,48 - 0,75) |

Steering

Power Assisted Single Circuit

Chassis

| | |
|-------------------------|--|
| Chassis Thickness | 7 mm with Reinforcement |
| Chassis Strength | 355 MPa |
| Suspension (Front/Rear) | Parabolic Leaf Spring / Compensating Arm Mechanical Suspension |
| Axle | Standard Single Reduction |
| Axle Ratio | 4,375 |
| Tyres (Front/Rear) | 315/80 R 22,5 |
| Wheel Rim | 22,5 x 9 Steel |

Braking System

| | |
|---|---|
| Brakes (Front/Rear) (Ø.mm x mm. Length) | 430 x 45 mm - Disc Brake |
| Braking System | Dual Brake Circuit - Air Processing Unit With Integrated Oil Separator and Heater |
| Engine Brake Power | max. 220 kW (Engine Level) |

Electrical System

| | |
|----------------------------|---------------------|
| Battery | 24V, 2 x 12V 150 Ah |
| Alternator / Starter Motor | 130 A / 6,5 kW |

Tanks

| | |
|-----------|-----------------|
| Fuel Tank | 550 L Aluminium |
| SCR Tank | 78 L |



Sharing the load

| Dimensions (mm) | |
|--|-------|
| Front Overhang | 1500 |
| Wheelbase | 4750 |
| Overall Length | 9840 |
| Distance between 2 nd and 3 th wheel centers | 1320 |
| Overall Cab Length | 2305 |
| Overall Vehicle Height | 3333 |
| Overall Vehicle Width (Excluding Mirrors) | 2540 |
| Chassis Width | 866 |
| Rear Overhang | 2270 |
| Useful Chassis Length | 7100 |
| Chassis Height - Front | 225 |
| Chassis Height - Rear | 285 |
| Ground Clearance - Front | 308 |
| Ground Clearance - Rear | 277 |
| Turning Radius | 10140 |

| Weights (kg) | 1. Axle | 2. Axle | 3. Axle | Total |
|---------------------------------|----------------|----------------|----------------|--------------|
| Technically Permissible Weights | 7100 | 12000 | 8700 | 26000 |
| Kerb Weight | 4821 | 1893 | 1452 | 8166 |
| Payload | 2279 | 10107 | 7248 | 17834 |
| GVM (Legal) | 7100 | 11500 | 8700 | 25000 |

STANDARD EQUIPMENT

- Air Conditioner
- Radio/CD/MP3 Player
- Cruise Control
- Disc Brake
- Engine Brake
- Electronic Brake System (EBS) including Anti-Lock Brake System (ABS)
- Electrically Operated Windows
- Electrically Operated and Heated Side Mirrors
- Electrically Operated Headlight Levelling
- Lane Departure Warning System (LDWS)
- Hill Launch Assist
- Differential Lock
- Spare Wheel
- Manually Operated Sunroof
- Heated and Air Suspended Driver Seat
- Lumbar Support
- Digital Tachograph
- Rake and Reach Adjustable Steering Column
- Front Fog Lamps
- Immobilizer
- Single Key with Remote Control and Central Locking
- Rear Mechanical Suspension
- Electronic Stability Control (ESP)
- Home Safe Light
- Approach Light
- Brake Lining Wear Sensor
- Tag Axle Lifting (Auto Drop Function)
- Auxiliary Cabin Heater (Dry Type)
- Advanced Emergency Braking System (AEBS)

OPTIONAL EQUIPMENT

- Firefighter Pack
- Clutch Dependent PTO & Interior Control Unit
- Engine Driven PTO & Interior Control Unit *
- ADR
- Cold Climate Pack
- Power Cab Tilting
- Auxiliary Cabin Heater (Wet Type)
- Metallic Paint / Special Colors
- 12 R 22,5 Tyre Option
- Low Roof Sleeper Cabin Option
- Low Liner Pack - with 315/60 Tyre and 4,11 Axle Ratio
- Upper Bed
- 3,5T Towing Capability
- 10T Towing Capability with 4,89 FDR
- 8T Front Axle Technical Capacity (Available with 315/80 R22,5 Tyres) (except 5500 WB)
- Rain Sensor
- Auto Light Sensor

* Available for Firefighter Pack Only.