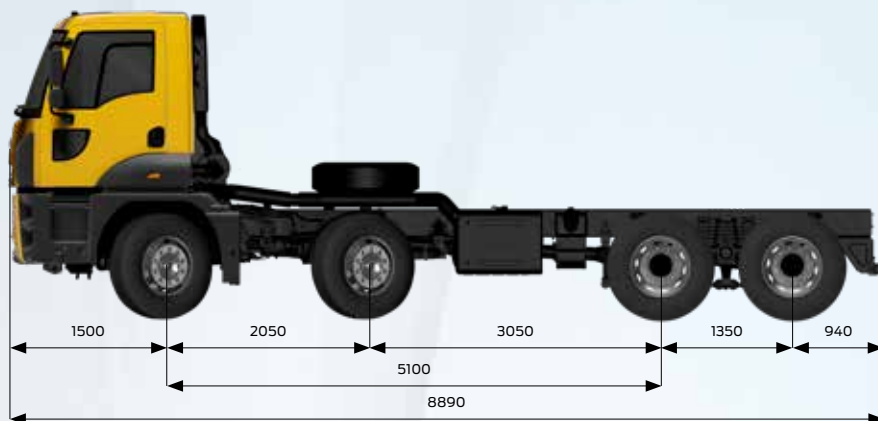


# FORD TRUCKS 4142XD EURO6



## Basic Features

Vehicle Type	Tipper
Axle	8x4
Emission	Euro 6
Cabin Type	Day Cab
Wheelbase (mm)	5100

## Engine

Type	Ecotorq 12,7 litre
Displacement (cc)	12740
Diameter x Stroke	130 mm x 160 mm
Power	420 PS (308,9 kW) / 1800 rpm
Torque	2150 Nm / 1000-1300 rpm
Compression Ratio	17 +/- 0,5 : 1
Oil Filling Volume	50 L
Coolant Volume	37 L (with Intarder 57 L)

## Transmission

Clutch	2 x 400 mm Twin Clutch
Manuel Transmission / Ratios (1. gear - 16. gear)	ZF 16S 2230 (13,805-0,836)
Automated Transmission / Ratios (1. gear - 12. gear)	ZF 12 TX 2210 (16,688 - 1)

## Steering

Power assisted single circuit

## Chassis

Chassis Thickness	10 mm with Reinforcement
Chassis Strength	500 MPa
Suspension (Front / Rear)	Parabolic Leaf Springs / Parabolic Tandem Suspension
Axle	Hub Reduction
Axle Ratio (Manual / Automatic)	4,87 / 4,08
Tyres	13 R22,5
Wheel Rim	22,5 x 9 Steel

## Braking System

Brakes (Ø mm x mm Length)	410 X 200, Z-Cam Drum Brake System
Braking System	Dual Brake Circuit – Air Processing Unit with Integrated Oil Seperator and Heater
Engine Brake Power	max. 340 kW (Engine Level)
Intarder Power	max. 600kW / continuous 160kW

## Electrical System

Battery	24V, 2 x 12V 150 Ah
Alternator / Starter Motor	130 A / 6,5 kW

## Tanks

Fuel Tank	315 L Steel
SCR Tank	55 L



Sharing the load

## Dimensions (mm)

Front Overhang	1500
Wheelbase	5100
Overall Length	8890
Overall Vehicle Height	3254
Overall Cab Length	1820
Rear Overhang	940
Useful Chassis Length	6490
Overall Vehicle Width (Excl. Mirrors)	2540
Ground Clearance - Front	547
Ground Clearance - Rear	305
Overall Vehicle Width (Excl. Mirrors)	2540

Weights (kg)	1. Axle	2. Axle	3. Axle	4. Axle	Total
Technically Permissible Weights	8000	8000	13400	13400	41900
Kerb Weight	3545	4158	2095	1955	11753
Payload	4455	3842	11305	11445	30147
GVM (Legal)	8000	8000	9500	9500	32000

## STANDARD EQUIPMENT

- Extra Heavy Duty Features (Twin Clutch, 13R 22.5 Tyre, Fuel Tank Guard, Parabolic Tandem Suspension)
- Manuel Air Conditioner
- AM/FM/Aux In/USB/Bluetooth (Radio with Bluetooth)
- Transmission Offset (double gear) PTO without Flange
- 4 Point Independent Cab Suspension for Day Cab
- Drum Brake
- Cruise Control
- Electrically Operated Windows
- Electrically Operated and Heated Side Mirrors
- Electrically Operated Headlamp Leveling
- Rake and Reach Adjustable Steering Column
- Heated and Air Suspended Driver Seat
- Ventilation Roof
- Lumbar Support
- Short Bumper
- Front Vehicle Antiroll Bar
- Anti-lock Brake System (ABS)
- Brake Lining Wear Sensor
- Immobilizer
- Single Key with Remote Control and Central Locking
- Home Safe
- Approach Lights
- Differential Lock
- Digital Tachograph
- Switchable Air Compressor (For Improved Fuel Economy)
- Front Towing Hooks (Double Hook)
- Reinforced Wheel Rim

## OPTIONAL EQUIPMENT

- Automated Transmission (with Normal Mode, Off-Road Mode, Rocking Mode)
- Engine Driven PTO and Interior Control Unit
- Transmission Direct (Double Gear) PTO without Flange (includes Power Take off Control Unit)
- Intarder
- ADR Pack
- Auxiliary Cabin Heater (Wet Type)
- Cold Pack with Wet Type Cab Heater and 225 Ah Battery
- Electrically Operated Cab Tilting
- Oil Pan Protection
- Dual Passenger Seat \*
- Manually Operated Sunroof
- Low Roof Sleeper Cab
- 13R 22,5 Tyre Option
- Lateral Protection
- Rear Window
- Automatic Traction Control (ATC)

\*Not available with Low Roof Sleeper Cab.