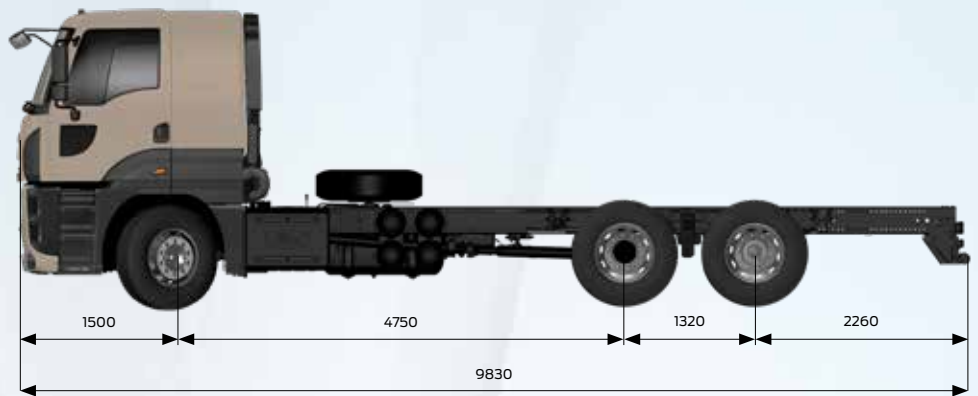


FORD TRUCKS 2633 LR EURO6



Basic Features

Vehicle Type	Road Truck
Axle	6x2
Emission	Euro 6
Cabin Type	Low Roof Sleeper Cabin
Wheelbase (mm)	4750

Engine

Type	Ecotorq 9 liters
Displacement (cc)	8974
Diameter x Stroke	115 mm x 144 mm
Power	330 PS (243 kW) @ 1900 rpm
Torque	1300 Nm @ 1200-1700 rpm
Compression Ratio	17,6 : 1
Oil Filling Volume	30 L
Coolant Volume	35 L

Transmission

Clutch	430mm Single Disc
Automated Transmission / Ratios (1. gear - 12. gear)	9+1 Speed (9,48 - 0,75)

Steering

Power Assisted Single Circuit

Chassis

Chassis Thickness	7 mm with Reinforcement
Chassis Strength	355 MPa
Suspension (Front/Rear)	Parabolic Leaf Spring / Air Suspension
Axle	Standard Single Reduction
Axle Ratio	4,63
Tyres (Front/Rear)	315/70 R 22,5
Wheel Rim	Steel Wheel (22,5 x 9)

Braking System

Brakes (Front/Rear) (Ø.mm x mm. Length)	430 x 45 - Disc Brake
Braking System	Dual Brake Circuit – Air Processing Unit with Integrated Oil Separator and Heater
Engine Brake Power	max. 220 kW (Engine Level)

Electrical System

Battery	24V, 2 x 12V 150 Ah
Alternator / Starter Motor	130 A / 6,5 kW

Tanks

Fuel Tank	480 L Aluminium
SCR Tank	55 L

Dimensions (mm)				
Front Overhang	1500			
Wheelbase	4750			
Overall Length	9840			
Distance Between 2 nd and 3 th Wheel Centers	1350			
Overall Cab Length	2305			
Overall Vehicle Width (Excluding Mirrors)	2540			
Chassis Width	870			
Rear Overhang	2240			
Useful Chassis Length	7200			
Chassis Height - Front	225			
Chassis Height - Rear	285			
Ground Clearance - Front	372			
Ground Clearance - Rear	270			
Turning Radius	10140			
Weights (kg)				
	1. Axle	2. Axle	3. Axle	Total
Technically Permissible Weights	7150	11500	7500	26000
Kerb Weight	4729	1949	1265	7943
Payload	2421	9551	6235	18057
GVM (Legal)	7150	11500	7500	26000

STANDARD EQUIPMENT

- Air Conditioner
- Radio/CD/MP3 Player
- Cruise Control
- Disc Brake
- Engine Brake
- Electronic Brake System (EBS) including Anti-lock Brake System (ABS)
- Electronic Stability Control (ESP)
- Advanced Emergency Braking System (AEBS)
- Lane Departure Warning System (LDWS)
- Electrically Operated Windows
- Electrically Operated and Heated Side Mirrors
- Electrically Operated Headlight Levelling
- Hill Launch Assist
- Spare Wheel
- Manually Operated Sunroof
- Heated and Air Suspended Driver Seat
- Lumbar Support
- Digital Tachograph
- Rake and Reach Adjustable Steering Column
- Front Fog Lamps
- Immobilizer
- Single Key with Remote Control and Central Locking
- Rear Air Suspension
- Home Safe Light
- Approach Light
- Brake Lining Wear Sensor
- Rain Sensor
- Tag Axle Lifting (Auto Drop Function)
- Axle Load Indicator
- Differential Lock

OPTIONAL EQUIPMENT

- Transmission Driven PTO & Interior Control Unit
- Cold Climate Pack
- Auxiliary cabin heater (wet type)
- Auxiliary cabin heater (Dry type)
- Power Cab Tilting
- Metallic Paint/Special Colors
- Day Cab & Low Roof Sleeper Cabin Options
- Modular Tachograph
- 5500 Wheelbase Option
- 315/60 & 315/80 Tyre Option
- 550 L Aluminium Fuel Tank with 55 L SCR Tank

This leaflet includes products designed for Ford vehicles. It provides information about the current technical specifications and the standard or optional accessories available as of the date it was issued. Features of standard and optional accessories of the vehicles may be changed from time to time. For this reason, please consult our Authorized Dealers to obtain updated and accurate information on the features of the vehicle you wish to buy. For the aforementioned reason, this leaflet does not constitute an assurance as to the specifications listed herein. The images used in this leaflet may be different from the vehicles on sale. The technical specifications provided herein are for standard vehicles. Selection of any optional accessories might cause differences from these specifications.